

Chafing-Dish

fully integrated in a decorative table-top surface

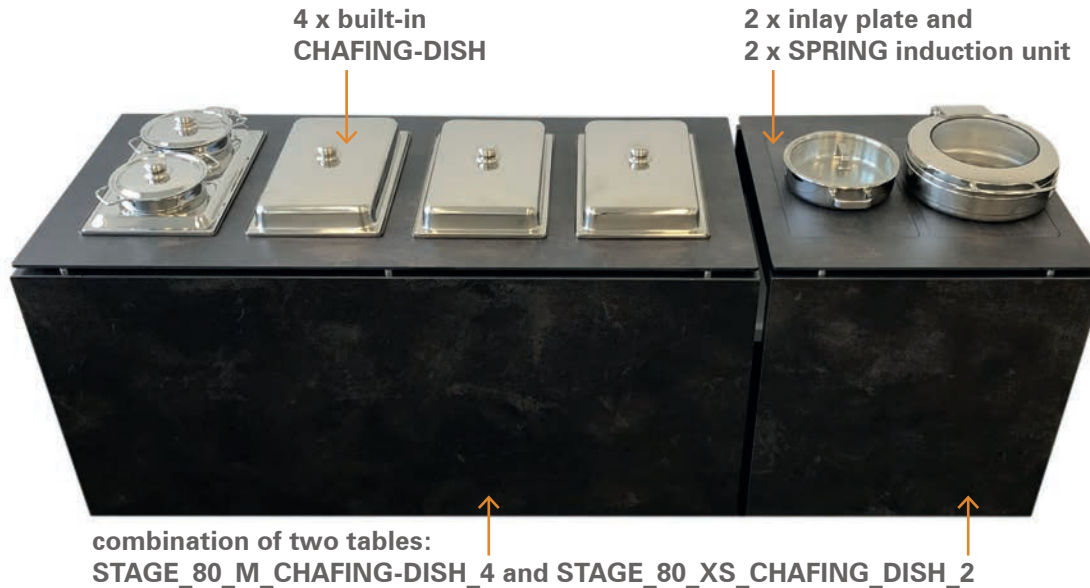


NEW

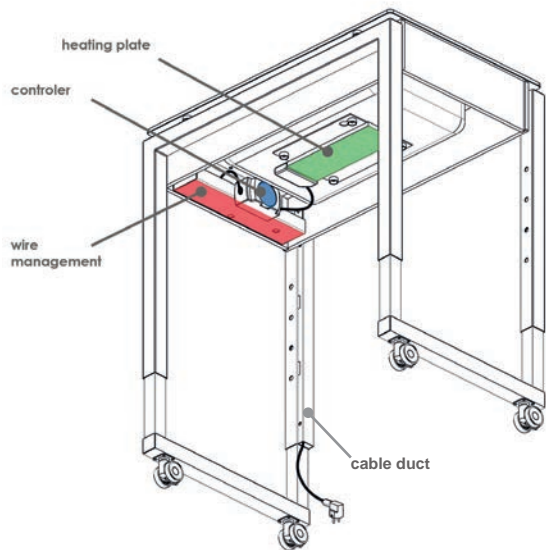
STAGE – CHAFING-DISH System

simple, functional, easy to handle

Buffet-tables with openings to install CHAFING-DISH units, which are fully integrated in the table surface. VENTA recommends to use SPRING or WMF units as we designed a special magnetice holder to place the remote control direct under the table.



CHAFING-DISH – additional equipment



**built-in chafing-dish
ECO_SPRING**



Item No.: 12300

**electric heating unit
SPRING**



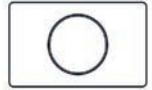
Item No.: 12301

**SPRING induction unit
1000W round**

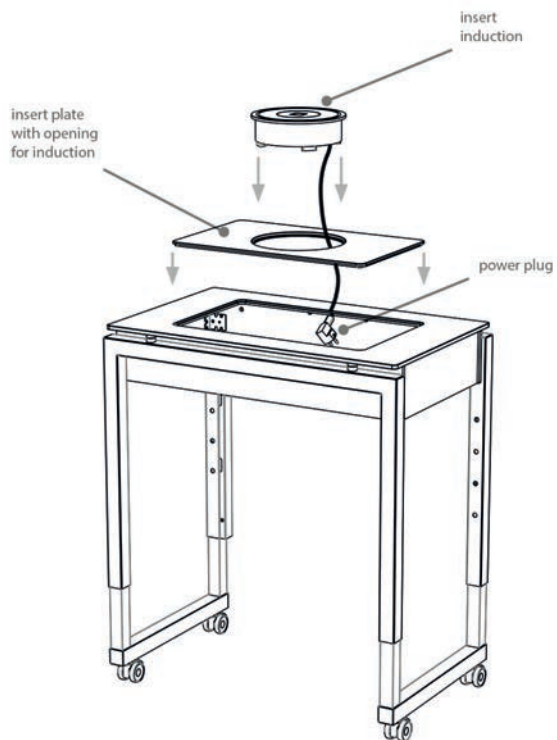


Item No.: 12303

**inlay_plate_induction_STA-
GE_CHAFING-DISH**



Item No.: 14063



Item No.: 80078100402

[LxWxH]: 1800 x 800 x 840 mm
 adjustable height: 920, 1000, 1080 mm
 weight: 44,5 kg

Base

steel, powder-coated, color: anthracite
 profile 40 x 40 mm, on wheels,
 diameter=50 mm
 (all wheels with brake)
 weight: 17,0 kg
 base is height adjustable

Table-Top

compact panel, 10 mm,
 decor: ceramic anthracite
 weight: 27,5 kg

OPTION_1

additional electrical equipment
 electric_heating_unit_SPRING (item-
 number: 12301) 50-60 Hz, 230V
 (SPRING: 60 9505 80 01)

OPTION_2

additional electrical equipment
 SPRING_Induction_Unit_1000W
 Round (item-number: 12303) 230 V /
 50 Hz / 1000 Watt, (SPRING: 58 9842
 10 24)

perfect system
 to present warm food in
 integrated chafing-dish



MATERIAL+COLOR

basic

base: 100,101,102
 table-top: 401, 402

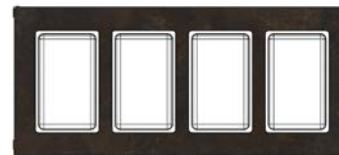
option

base: 103, 104, 105, 109, 112
 table-top: 407, 409, 411, 412, 414, 415, 416, 417, 418, 419

combination of STAGE_80_M_CHAFING-DISH_4
 and STAGE_80_XS_CHAFING-DISH_2 + BLINDS



top view



Item No.: 99144

Trolley for max. 2 x table 80_M_CHAFING-DISH



weight: 65 kg [empty]/154 kg [full]

STAGE_80_XS_CHAFING-DISH_2

Item No. : 80080100402

[LxWxH]: 800 x 800 x 840 mm
adjustable height: 920, 1000, 1080 mm
weight: 27 kg

Base

steel, powder-coated, color: anthracite
profile 40 x 40 mm, on wheels,
diameter=50 mm
(all wheels with brake)
weight: 13,6 kg
base is height adjustable

Table-Top

compact panel, 10 mm,
decor: ceramic anthracite
weight: 23,4 kg

OPTION_1

additional electrical equipment
electric_heating_unit_SPRING (item-
number: 12301) 50-60 Hz, 230V
(SPRING: 60 9505 80 01)

OPTION_2

additional electrical equipment
SPRING_Induction_Unit_1000W_
Round (item-number: 12303) 230 V /
50 Hz / 1000 Watt, (SPRING: 58 9842
10 24)

system suitable for
chafing-dish units by
SPRING or WMF



MATERIAL+COLOR

basic

base: 100,101,102
table-top: 401, 402

option

base: 103, 104, 105, 109, 112
table-top: 407, 409, 411, 412, 414, 415, 416, 417, 418, 419

combination of STAGE_80_M_CHAFING-DISH_4
and STAGE_80_XS_CHAFING-DISH_2

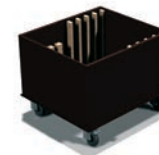


top view



Item No. : 99145

trolley for max. 2 x table 80_XS_CHAFING-DISH



weight: 50 kg [empty]/104 kg [full]

Item No.: 80079100402

[LxWxH]: 1800 x 800 x 840 mm
adjustable height: 920, 1000, 1080 mm
weight: 46,0 kg

Base

steel, powder-coated, color: anthracite
profile 40 x 40 mm, on wheels,
diameter=50 mm
(all wheels with brake)
weight: 17,0 kg
base is height adjustable

Table-Top

compact panel, 10 mm,
decor: ceramic anthracite
weight: 29,0 kg

OPTION_1

additional electrical equipment
electric_heating_unit_SPRING (item-
number: 12301) 50-60 Hz, 230V
(SPRING: 60 9505 80 01)

OPTION_2

additional electrical equipment
SPRING_Induction_Unit_1000W
Round (item-number: 12303) 230 V /
50 Hz / 1000 Watt, (SPRING: 58 9842
10 24)

perfect system
to present warm food in
integrated chafing-dish



MATERIAL+COLOR

basic

base: 100,101,102
table-top: 401, 402

option

base: 103, 104, 105, 109, 112
table-top: 407, 409, 411, 412, 414, 415, 416, 417, 418, 419

STAGE_80_M_CHAFING-DISH_3 + BLINDS



top view



Item No.: 99144

Trolley for max. 2 x table 80_M_CHAFING-DISH



weight: 65 kg [empty]/157 kg [full]

STAGE_80_XS_CHAFING-DISH_1

Item No.: 80081100402
 [LxWxH]: 800 x 800 x 760 mm
 adjustable height: 840, 920, 1000 mm
 weight: 27,0 kg

Base
 steel, powder-coated, color: anthracite
 profile 40 x 40 mm, on wheels,
 diameter=50 mm
 (all wheels with brake)
 weight: 13,6 kg
 base is height adjustable

Table-Top
 compact panel, 10 mm,
 decor: ceramic anthracite
 weight: 23,4 kg

OPTION_1
additional electrical equipment
 electric_heating_unit_SPRING (item-
 number: 12301) 50-60 Hz, 230V
 (SPRING: 60 9505 80 01)

OPTION_2
additional electrical equipment
 SPRING_Induction_Unit_1000W
 Round (item-number: 12303) 230 V /
 50 Hz / 1000 Watt, (SPRING: 58 9842
 10 24)



MATERIAL+COLOR

base	option
base: 100,101,102	base: 103, 104, 105, 109, 112
table-top: 401, 402	table-top: 407, 409, 411, 412, 414, 415, 416, 417, 418, 419

system suitable for
 chafing-dish units by
 SPRING or WMF

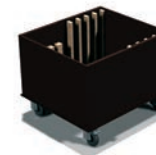
combination of STAGE_80_M_CHAFING-DISH_3
 and STAGE_80_XS_CHAFING-DISH_1



top view



Item No.: 99145
 Trolley for max. 2 x table 80_XS_CHAFING-DISH



weight: 50 kg [empty]/104 kg [full]

Item No.: 50042100402

[LxWxH]: 1800 x 500 x 840 mm
 adjustable height: 920, 1000, 1080 mm
 weight: 37,0 kg

Base

steel, powder-coated, color: anthracite
 profile 40 x 40 mm, on wheels,
 diameter=50 mm
 (all wheels with brake)
 weight: 16,0 kg
 base is height adjustable

Table-Top

compact panel, 10 mm,
 decor: ceramic anthracite
 weight: 21,0 kg

OPTION_1

additional electrical equipment
 electric_heating_unit_SPRING (item-
 number: 12301) 50-60 Hz, 230V
 (SPRING: 60 9505 80 01)

OPTION_2

additional electrical equipment
 SPRING_Induction_Unit_1000W
 Round (item-number: 12303) 230 V /
 50 Hz / 1000 Watt, (SPRING: 58 9842
 10 24)

perfect system
 to present warm food in
 integrated chafing-dish



MATERIAL+COLOR

basic

base: 100,101,102
 table-top: 401, 402

option

base: 103, 104, 105, 109, 112
 table-top: 407, 409, 411, 412, 414, 415, 416, 417, 418, 419

combination of STAGE_50_M_CHAFING-DISH_2
 and STAGE_50_XS_CHAFING-DISH_1 + SHELF



top view



Item No.: 99144

Trolley for max. 2 x table 50_M_CHAFING-DISH



weight: 65 kg [empty]/154 kg [full]

STAGE_50_XS_CHAFING-DISH_1

Item No.: 50043100402
 [LxWxH]: 800 x 500 x 760 mm
 adjustable height: 840, 920, 1000 mm
 weight: 26,0 kg

Base
 steel, powder-coated, color: anthracite
 profile 40 x 40 mm, on wheels,
 diameter=50 mm
 (all wheels with brake)
 weight: 12,6 kg
 base is height adjustable

Table-Top
 compact panel, 10 mm,
 decor: ceramic anthracite
 weight: 13,4 kg

OPTION_1
additional electrical equipment
 electric_heating_unit_SPRING (item-
 number: 12301) 50-60 Hz, 230V
 (SPRING: 60 9505 80 01)

OPTION_2
additional electrical equipment
 SPRING_Induction_Unit_1000W
 Round (item-number: 12303) 230 V /
 50 Hz / 1000 Watt, (SPRING: 58 9842
 10 24)

combination of STAGE_50_M_CHAFING-DISH_2
 and STAGE_50_XS_CHAFING-DISH_1



system suitable for
 chafing-dish units by
 SPRING or WMF



MATERIAL+COLOR

basic	option
base: 100,101,102	base: 103, 104, 105, 109, 112
table-top: 401, 402	table-top: 407, 409, 411, 412, 414, 415, 416, 417, 418, 419